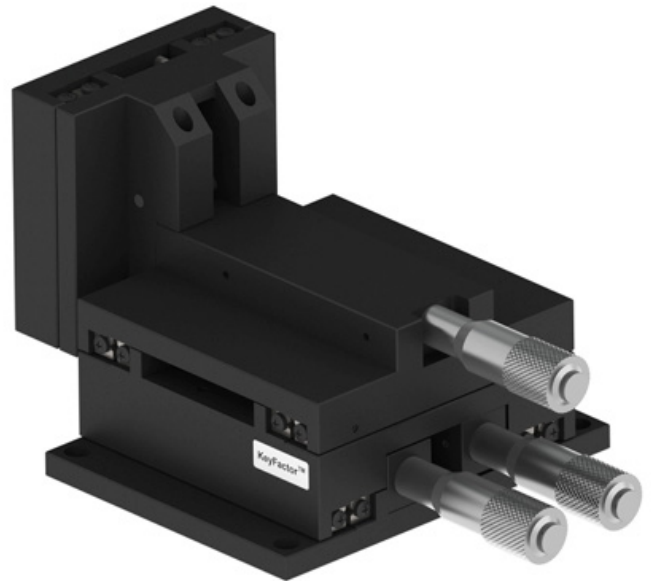


RFP100

Ultra stable micropositioner
for RF, mmW probing.



Application

High-performance RF, multi-contact/mixed signal probing High-performance versatile wafer-level reliability probing
Single-ended broadband/mmWave, THz, source/load pull, RF noise probing.

Features

- Stable and rigid – Highly stable and rigid structure, ideal for RF and mmW probing.
- Linear motion – Large cross roller bearing glides ensure linear motion.
- Backlash free – Spring loaded X-Y-Z, stable and backlash free, probes won't drift during tests.
- Vibration Isolation – All micrometer heads located at the rear of the micropostioner, minimizes vibration from hands, ideal to protect expensive RF/microwave probes.

Specifications

Accuracy	3 μ m
X-Y-Z Travel Range	25mm*25mm*12.5mm
TPI	50
Mounting	Bolt Down (Magnetic available upon request)
Dimensions	192mm*105mm*106mm (W*D*H)

Specifications and designs are subject to change without notice.

Ordering Information

RFP100-BD	RFP100 micropositioner with bolt down mounting.
RFP100-MO/F	RFP100 micropositioner with magnetic mounting, with on/off function.
Probes	DC~1100GHz probes available upon request.
Calibration Substrates	For calibration of probes to test and measurement instruments.

All Rights Reserved. KeyFactor Systems, Inc.



C/ SEPTIEMBRE 31 28022 MADRID
Tel. 91 3000191 www.idm-instrumentos.es
idm@idm-instrumentos.es

KeyFactor Systems, Inc.

www.keyfactorsystems.com
sales@keyfactorsystems.com
technical-support@keyfactorsystems.com

U.S.

Add: 8825 53 AVE Elmhurst, New York, United States.
Tel: +1(347) 994-9951

China

Add: 5th FL, Sohovark, Industrial Rd. South, SSL, Dongguan.
Tel: +86(769)2223-8503
Fax: +86(769)2223-0701