

LI19 HAND-HELD READ-OUT UNIT / DATALOGGER

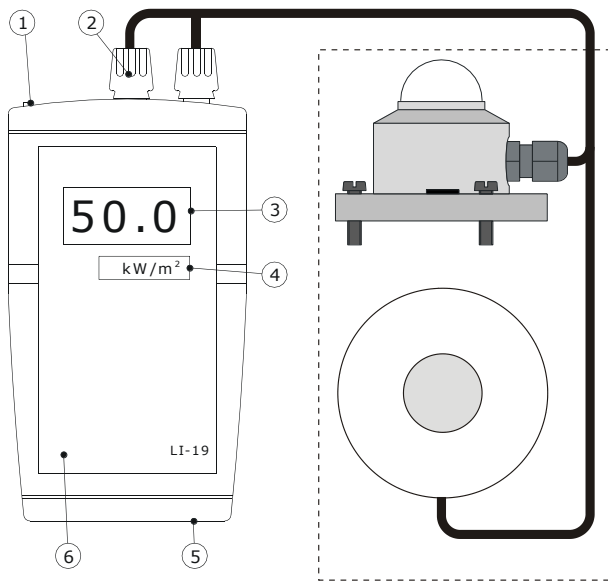


Figure 1 LI19 connected to a solar radiation sensor or a heat flux plate. (sensors are not part of the delivery). Other sensors with millivolt outputs such as Gardon gauges and Schmidt Boelter gauges, can be connected as well; please consult Hukseflux. The USB connector (5) is located at the bottom of the LI19. Settings are accessible by PC through a USB interface box, which is part of the delivery.

The LI19 is a high accuracy hand-held read-out unit / datalogger that can be used with a variety of sensors. LI19's most common application is with heat flux- and solar radiation sensors. It can be used to make mobile measurements, for short term datalogging (as a static logger), and as an accurate millivolt amplifier directly connected to a PC. The LI19 has a USB interface (through separate USB interface box) and software for programming and readout via PC. LI19 battery life and memory allow datalogging for up to 50 days.

The sensor type and the calibration factor of the sensor are entered using the USB connection and LI19 software. The reading on the display now shows a calibrated value. Correct engineering units are put on the LI19 front (4). The same software is used to program datalogging settings.

The LI19 not only measures but also integrates the input signal. The minimum, maximum and integrated values are stored. Limited by battery power, 3500 samples can be stored over a maximum of 50 days. The stored totals can be read out via PC.

The LI19 is powered with 2 AA-type batteries. Delivery includes PC software. The software has the following functions:

Define sensor settings, display of real-time values, define logger settings, export data to Excel, display of stored values as graphs

LI19 SPECIFICATIONS

Compatibility:	pyranometers, heat flux sensors, Gardon Schmidt Boelter gauges
Display functions:	actual values
Programming functions	sensor settings logger settings
A/D resolution:	1 or 10 μ V
A/D sample rate:	1/second
power supply:	2 AA-type batteries Alkaline
Compatibility:	Windows 2000, XP, VISTA
Battery life:	> 25 days
Memory capacity:	3500 samples min / max/ average over set interval